

Connecting BOX WFHC

✓ **Main functions:**

When there is a heating demand from at least one zone, the relay is energised, this in turn opens the zone valve. When the zone valve is completely open the internal contact switch will switch on the UFH pump and the boiler.

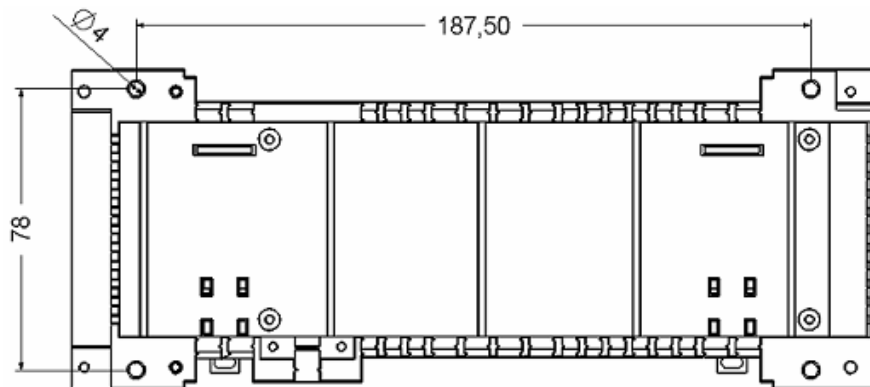
✓ **Other possibilities:**

If there is no zone valve used the link should remain connected, and in this case all devices (Pump, Valve and boiler) will work in sequence.

✓ **External clock option:**

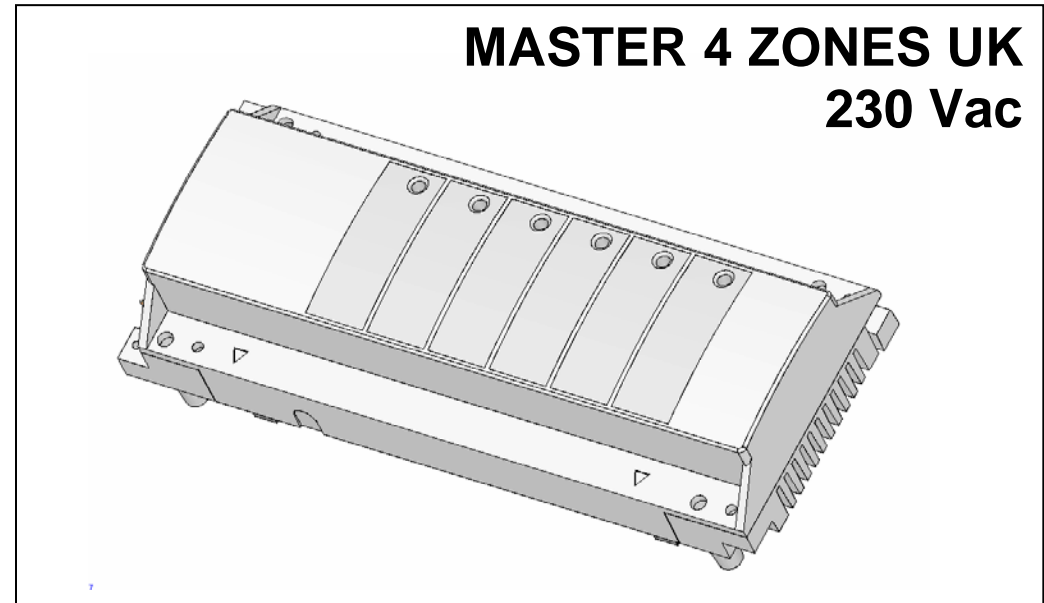
If you replace the link by an external time switch, the UFH system will switch on and off following the program from this clock.

Mechanical drawing:



Connecting BOX WFHC

MASTER 4 ZONES UK 230 Vac



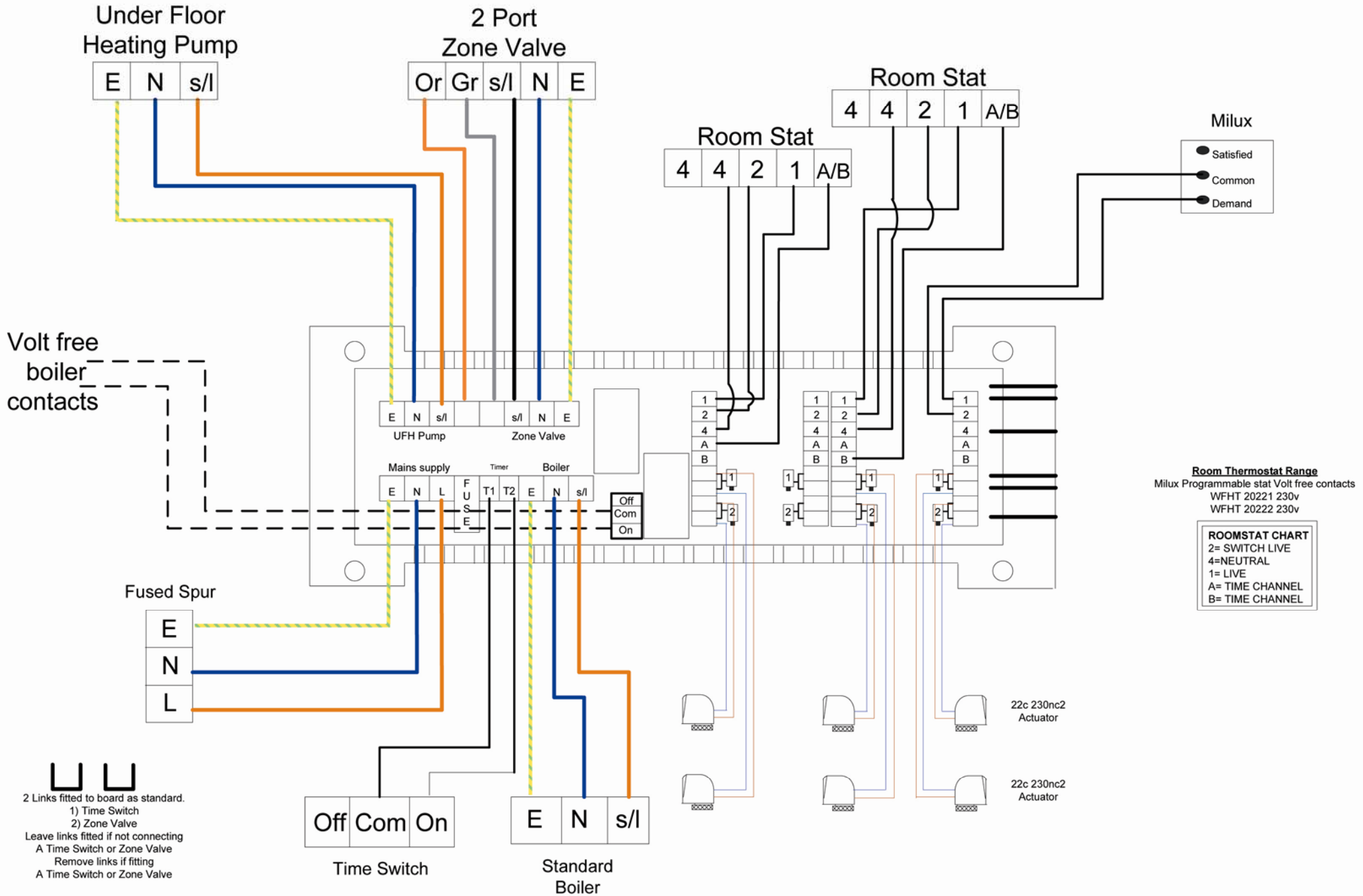
DESCRIPTION


The Master 4 zones is a connecting box with all the main electrical connections for water under floor heating system. This is DIN rail or Wall box mounted close to the manifold and connects room thermostats to their corresponding actuators. Actuators state (Open/Close) are indicated by green LED's, Boiler and Pump state(On/Off) by red LED's. Includes a volt free contact to drive external power supply. It is possible to add more zones by plugging in Slave connecting box's.

TECHNICAL DATA

Operating voltage : 230Vac \pm 10%
 Operating temperature :0 to 50°C
 Max actuators (Master 4 zones+2Slaves 4 zones).....24
 Max actuators / Zone (15W).....4
 Actuator contact :Triac
 Pump contact :relay (Max 8 amps)
 Volt free contact :relay (Max 16 amps)
 Dimensions : 224 x 88 x 58mm

Master connecting box




 2 Links fitted to board as standard.
 1) Time Switch
 2) Zone Valve
 Leave links fitted if not connecting
 A Time Switch or Zone Valve
 Remove links if fitting
 A Time Switch or Zone Valve