



## **Safety precaution**

Warning: In order to reduce the risk of fire or electric shock, do not expose the product to rain or moisture. Please observe the following safety precautions

strictly, incorrect installation and usage would damage screen part and cause personal injury.

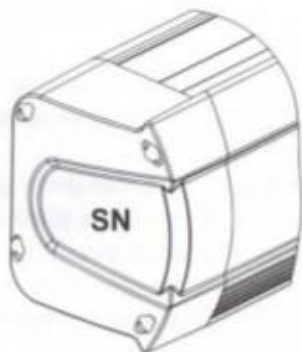
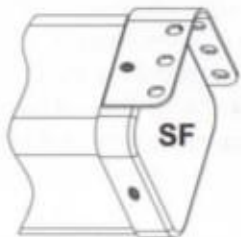
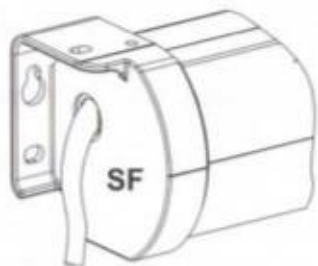
01. Be careful when moving the screen to avoid damage.
02. Please do not expose the screen to rain or place items with water onto the screen.
03. Anti-fire/heat: Please keep the screen away from fire sources such as radiators and stoves.
04. Please do not dismantle the body shell or change circuit on your own.
05. Please check and ensure the power voltage and Hz of grid are in line with those of the screen. The plug should be equipped with reliable ground wire.
06. Please do not scratch or fold up the screen fabric to prevent the fabric from damages or wrinkles.
07. After usage, please roll the fabric back into the housing to keep the fabric from dust and light aging. Please make sure the fabric is clean before being rolled back.
08. The motor has thermal protective function (4 minutes), please do not roll up/down the screen frequently within a short time.
09. The screen should be installed at a horizontal level.
10. No one is allowed to stand under the screen during installation. Expansion bolts must be hammered into wall or ceiling and fixed.
11. If the remote receiver will not be used for a long time, please take out the batteries.
12. Please go by the manual. Installation and maintenance will be duly conducted by professional service personnel.

1. Equipped with high-performance tubular motor that has strong torsional force and runs fast.
2. Complete with manual / remote control. Total control can be optional.
3. Easy mounting, suitable for wall and ceiling, etc.
4. Fabric is anti-fire/mildew and odourless. smooth screen surface. Non-discolouring, Non-deformation.
5. Comply with RoHS environmental standards.

## **Product Features**

Several series according to different housing shape and screen fabric ( same screen usage )

1. SF Series - Steel housing ( cover installation / mobile installation )
2. SN Series - Aluminum housing ( mobile installation )
3. SM Series - Aluminum housing ( mobile installation )

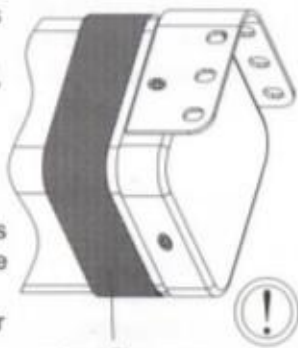


**Attention:**

After unpacking the screen, if there is a strap as is shown in the picture ( the lower shaft of Tab-tensioned screen is screwed to the housing ), please remove it before using the screen. The strap is used for preventing the lower shaft pressing itself onto screen fabric in the housing during transportation.

The strap works in transportation. If the screen is in transportation or sent back to factory, please put on the strap again.

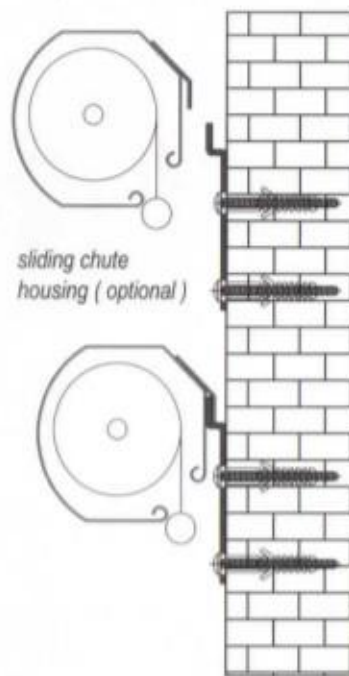
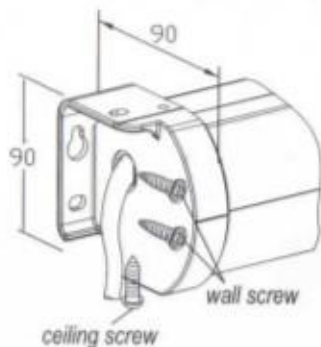
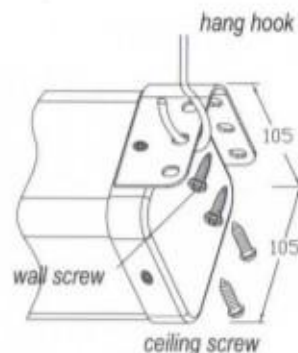
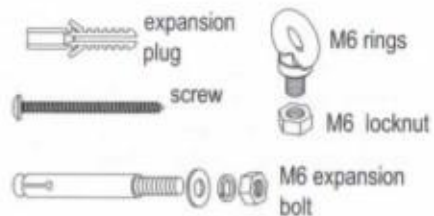
One housing can be matched by different lower shafts according to particular requirements. Therefore, some screens will be packed with the help of a strap.



strap ( Please remove it before first usage )

## Suggested assemble method

### — SF Series



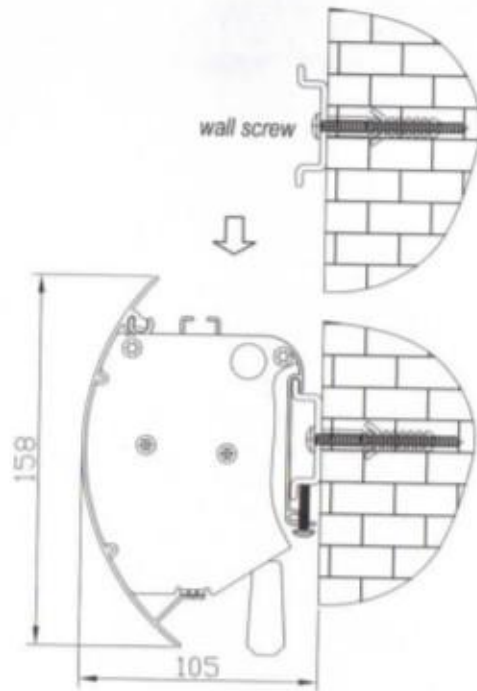
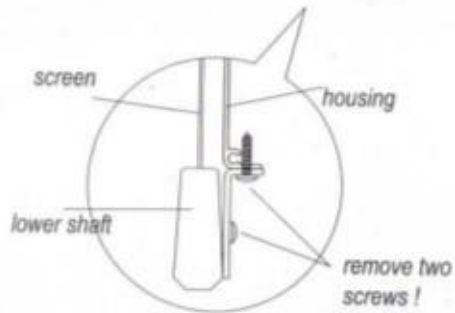
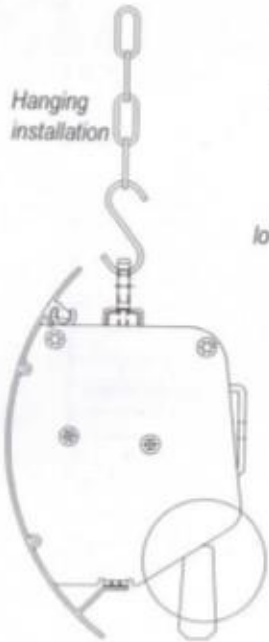
—SM Series



**Lower shaft fixed block**



This element is only used during transportation to fix the lower shaft. Please remove it before first usage, otherwise it will cause damage to the screen.



4

—SN Series



Hanging fixture



Hanging mobile fixture



screw



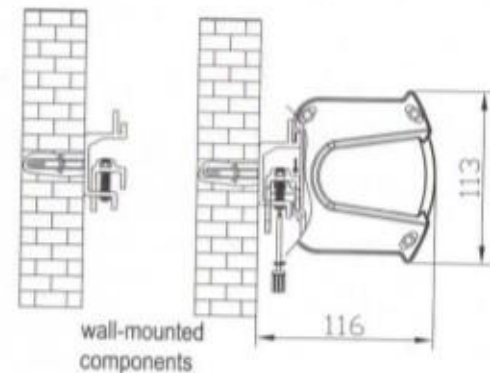
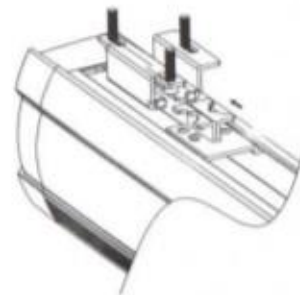
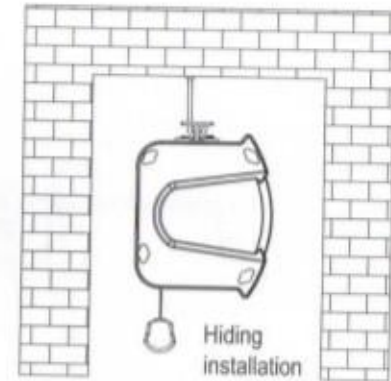
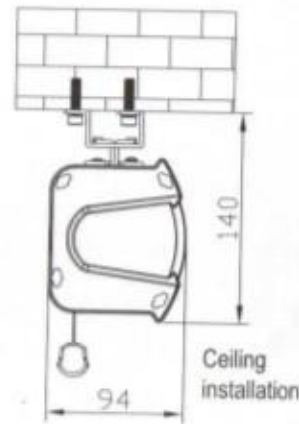
expansion plug



wall-mounted components

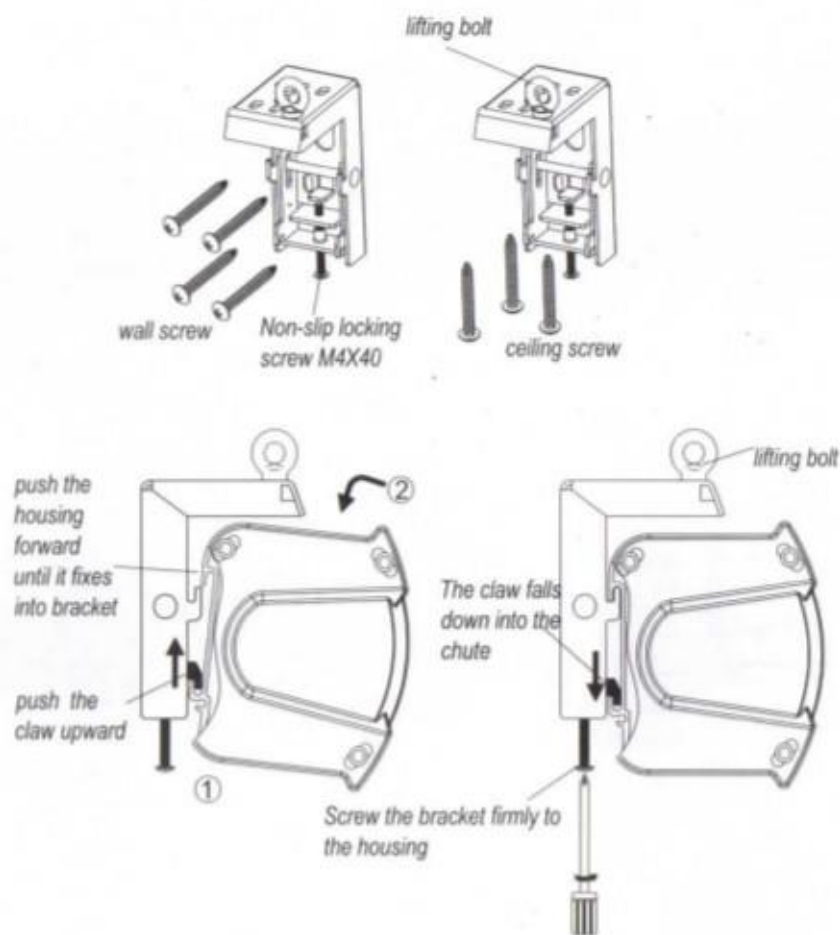


M6 expansion bolt



5

## Multifunctional bracket installation



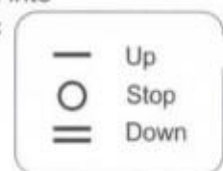
## Fabric cleaning

1. Glass beaded fabric: dry cleaning.
2. Matte White surface: wet-cleaned with a soft towel dipping water or diluted alcohol. Avoid using alcohol and diethyl ether directly for prevention of screen deterioration.
3. Other fabrics: the same as Matte white.

## Operation

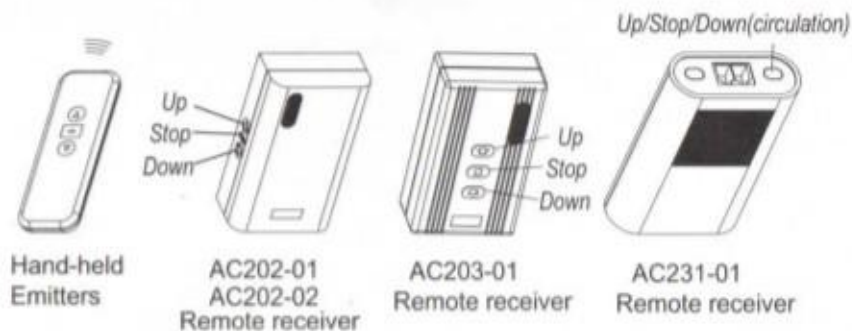
### A. Wire control

1. Please check if the power supply is suitable for the screen.
2. The screen can be controlled by pressing the switch buttons.
3. Screen will automatically power off when it touches pre-set up & down positions.
4. Please roll the fabric back into housing to keep the fabric clean after usage.



### B. Remote Control

1. Turn on the power.
2. ( manual ) Control the screen by pressing the three buttons on the remote control receiver
3. ( remote control ) Control the screen by pressing the three buttons on the remote emitter
4. Please roll the fabric back into housing to keep the fabric clean after usage.



**Note:** You can select other types of remote control receiver

**AC202-02** Compatible with external projector DC12V trigger signal ( to make sure the screen are synchronized with projector ) and external impulse hand control or central control.

The Receiver supports IR receiver and RF reception

**AC231-01** Remote control and network control via RS232/485 interface. With 12V port for photocell or sensor.

**AC202-01, AC203-01** can be customized to be IR.

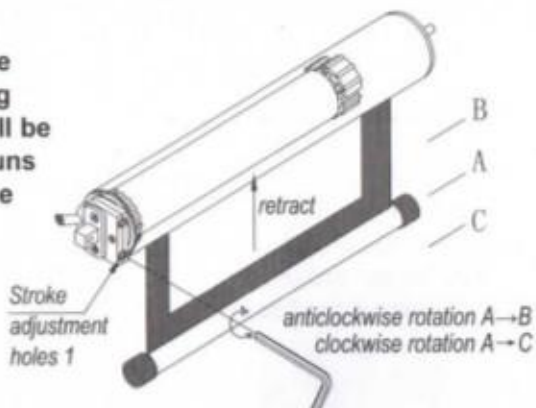
Every screen is pre-set before leaving factory, so there is no need for customers to re-set it again. If needed, the screen should be re-set under professional guidance. The tools are Hexagonal adjusting handle or 3mm-Dia "-" shape screwdriver.

## Adjusting

1. Locating lower shaft ( when the fabric is rolled back )  
The motor is placed in the left of screen housing. When the fabric is rolled back into the housing and lower shaft needs to be adjusted, please plug the spanner into the adjusting hole no.1. Turn anti-clockwise, the fabric will rise, turn clockwise, the fabric will drop.

**Attention:** Please be careful when raising fabric, the fabric will be rent, if the fabric runs excessively over the pre-set position.

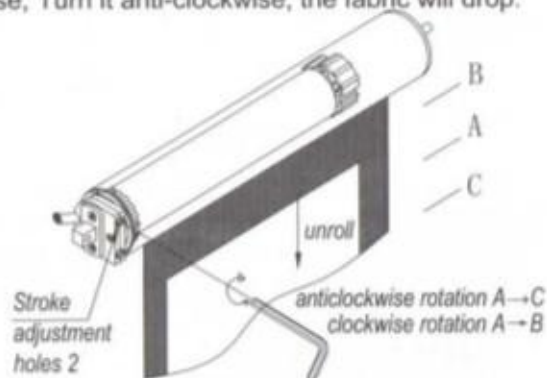
When the hexagonal spanner turns a circle, the fabric will move up about 22-27 mm.



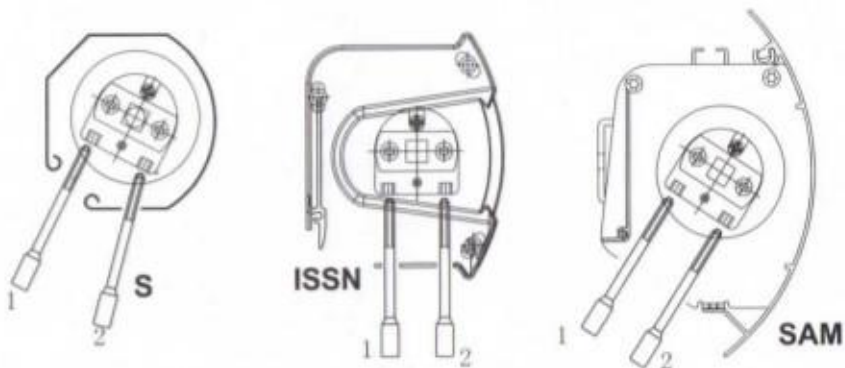
2. Adjustment of visible top blackborder (Fabric folled-up)  
The motor is place in the left of screen housing. When the fabric is rolled out completely and the top black border needs to be adjusted, please plug the spanner into the stroke adjusting hole no.2. Turn it clockwise, the fabric will rise, Turn it anti-clockwise, the fabric will drop.

**Attention:** Please be careful when dropping fabric, the fabric will be rent, if the fabric runs excessively over the pre-set position.

1. When the hexagonal spanner turns a circle, the fabric will drop about 19-23 mm.



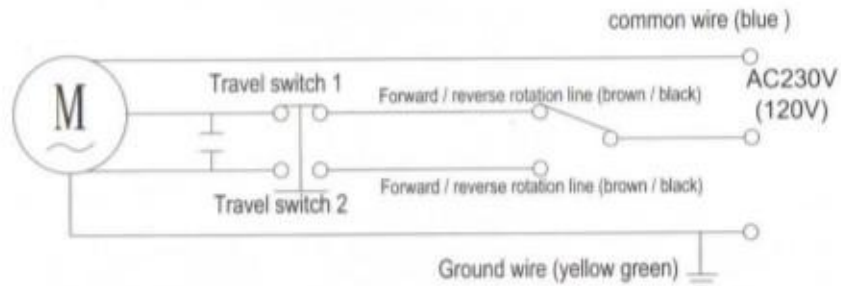
## Motor stroke adjustment azimuth schematic



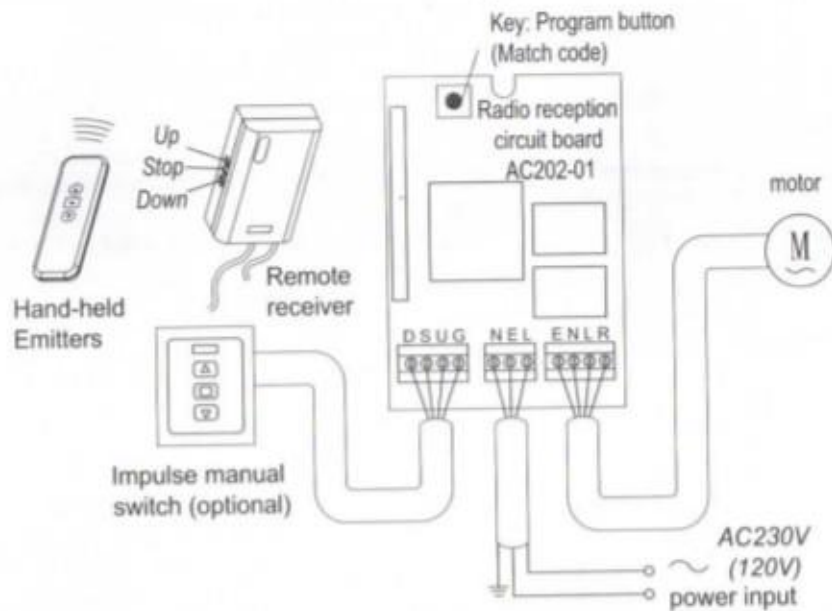
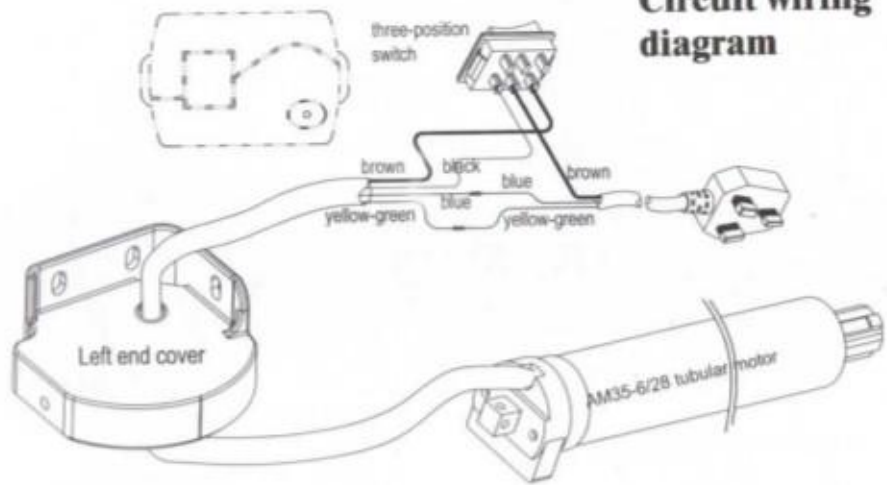
1 -- Adjust distance between housing and lower shaft  
2 -- Adjust the height of the screen surface with black border

Motor is placed in the left of housing (screen cable input end) as viewed from the left end position

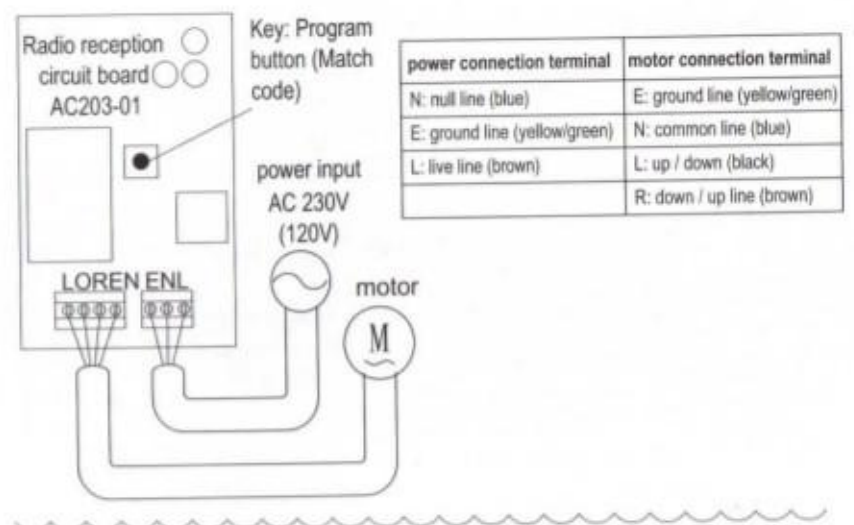
## Power supply and electric circuit control



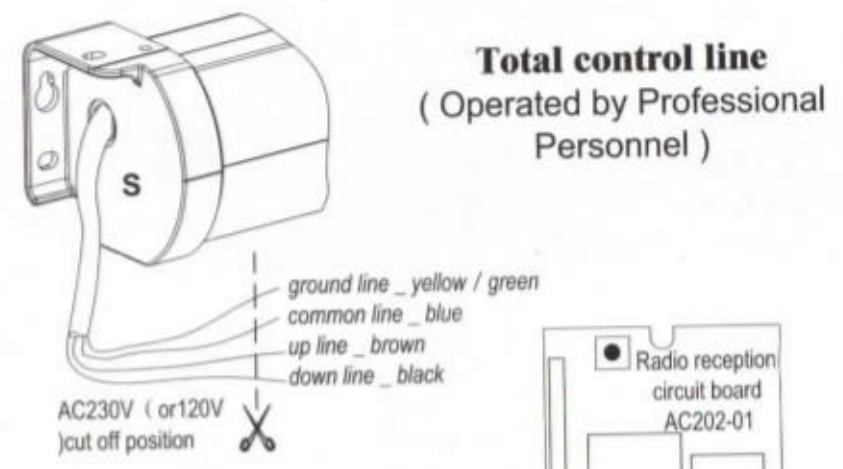
### Circuit wiring diagram



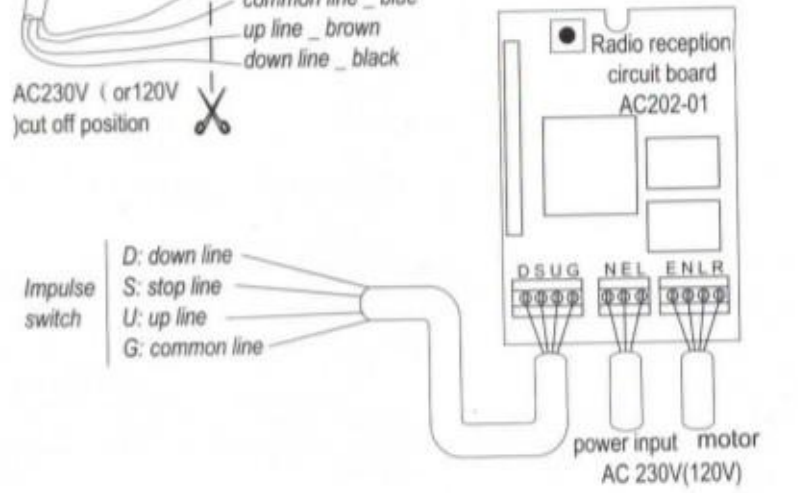
manual switch terminal	power connection terminal	motor connection terminal
D: down / up line (black)	N: null line (blue)	E: ground line (yellow/green)
S: stop line (green)	E: ground line (yellow/green)	N: common line (blue)
U: up / down (brown)	L: live line (brown)	L: up / down (black)
G: common line (blue)		R: down / up line (brown)



power connection terminal	motor connection terminal
N: null line (blue)	E: ground line (yellow/green)
E: ground line (yellow/green)	N: common line (blue)
L: live line (brown)	L: up / down (black)
	R: down / up line (brown)



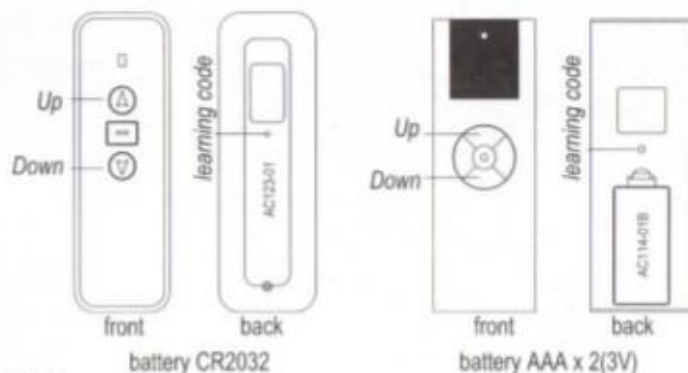
### Total control line ( Operated by Professional Personnel )



## Solutions for common problems

problem	Inspection area and the causes analysis	processing method
motor not working	check power supply	turn on the power
	automatic thermal protection prevents motor working more than consecutive 4 mins	wait 30 mins for automatic power back
	three-Gear switch or remote control receiver does not work	change related component
remote control not working	low battery for remote control	change battery
	out of remote control range	Pre-set range: 8 ~20M for IR, 20 ~80M for RF
	Emitters is not compatible with remote receiver	set the code again
	try other control methods	to check if the remote control works well
screen in wrong position	Severe vibration during transportation results in travel changes, or the user wishes it to be adjusted to desired positions	adjust the screen position according to the previous instructions

### Remote control match code



(after entering matching

/deleting code mode, if no operation within 10s, the receiver will be back to initial mode)

code matching setting	turn on the power	press the program button on the receiver	The LED light on receiver flashes slowly	forward next step within 10S	press "Up" button on emitter ( or learning code button )	The LED light stop flash	OK
code deleting setting	turn on the power	press the program button on the receiver	The LED light on receiver flashes slowly	forward to next step within 10S	press "Down" button on emitter	The LED light flashes quickly 3 times	OK